

MODEL "VH2" SERIES

TYPE II VAPOR HOOD

GENERAL SPECIFICATIONS

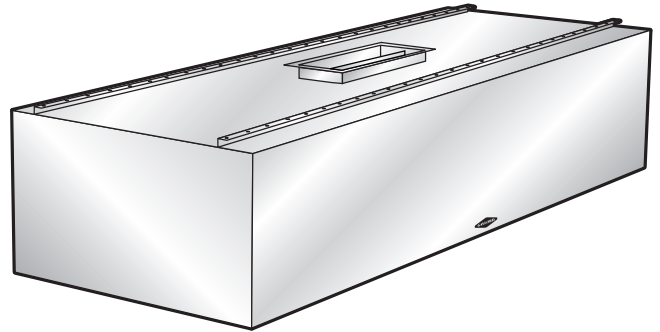
Furnish Gaylord model "VH2-____" Type II vapor hood as shown on the plans and in accordance with the following specifications.

The hood shall be constructed of minimum 18 gauge stainless steel type 300 series, number 4 finish and contain a baffle for collecting condensed moisture from the hood. The hood shall incorporate a perimeter gutter with a ½" drain stub out. The hood shall include two full length hanging brackets with holes pre-punched 12" on centers. The exhaust volume and duct size shall be as indicated on the plans.

The hood shall meet all requirements of the IMC (International Mechanical Code) and constructed in strict compliance with NSF standard number 2.

Optional Light: The hood shall include 100 watt incandescent light fixture(s) pre-wired to a single connection point. The light shall be UL Listed for commercial hoods and wired in accordance with the latest edition of the NEC (National Electrical Code).

Optional Balancing Damper: The hood shall include a stainless steel slide type balancing damper located at the duct collar.



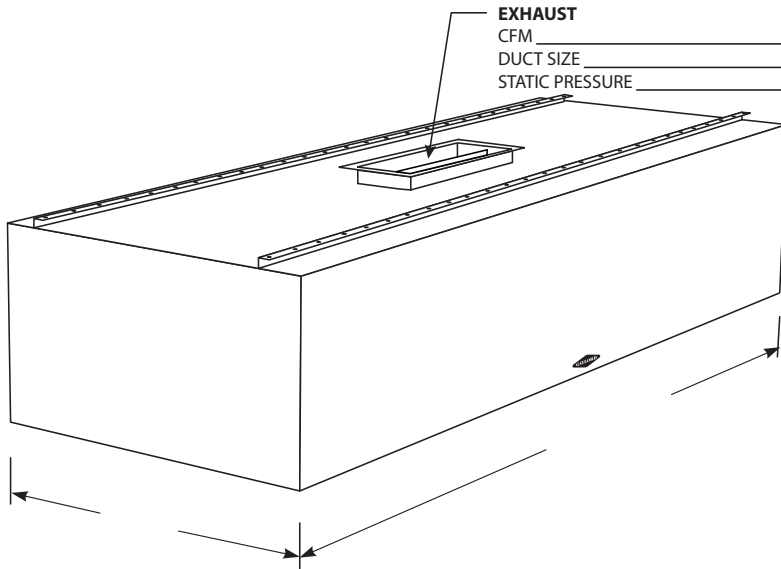
DESCRIPTION

The Gaylord Model "VH2" Series Vapor Hood is a Type II hood designed specifically for collecting moisture generated by equipment such as dishwashers, steam tables, bain maries, etc. The hood is constructed of 18 gauge type 300 series stainless steel number 4 finish. The hood includes a condensing baffle that drains off the extracted moisture, and a full perimeter gutter with drain. Also included are two full length brackets with pre-punched holes on 12" centers providing multiple hanging points for easy installation. The units are available in standard lengths from 3'-0" to 12'-0" and depths from 36" to 60" in 6" increments. For lengths longer than 12'-0", two or more units of equal length are joined together. A slide type balancing damper located at the duct collar is available as an option.

FEATURES:

- All stainless steel construction
- Condensate baffle
- Perimeter gutter with drain
- Meets International Mechanical Code
- Meets NSF Standard No. 2
- Optional balancing damper
- Optional light fixtures

GAYLORD INDUSTRIES



PROJECT NAME: _____

ITEM NO.: _____

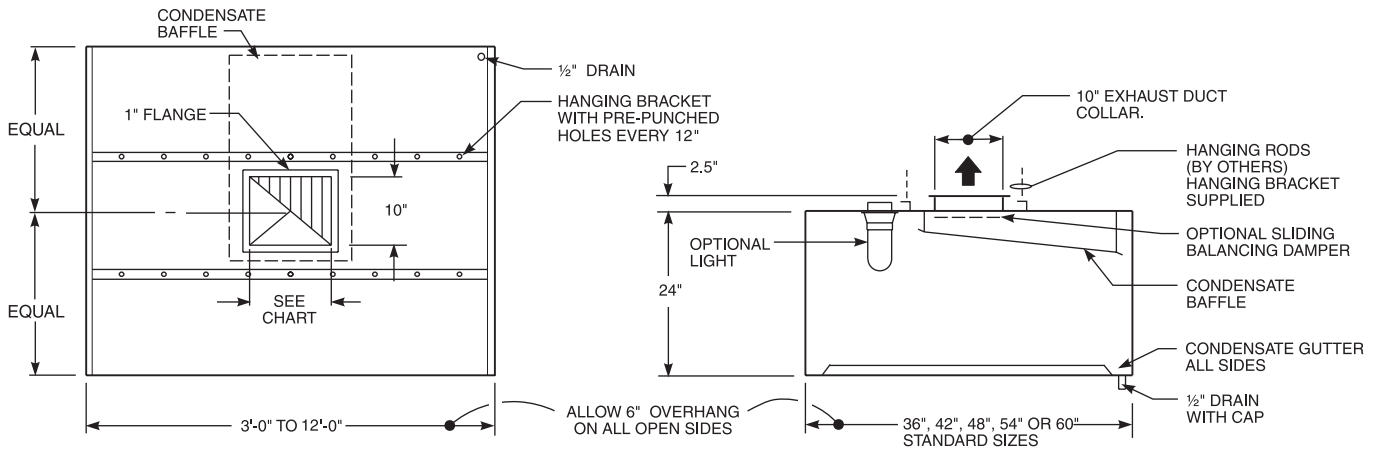
MODEL "VH2" SERIES

TYPE II VAPOR HOOD

- MODEL VH2-W (WALL MOUNT)
- MODEL VH2-I (ISLAND STYLE)

OPTIONS

- 100 WATT INCANDESCENT LIGHT
- SLIDING BALANCING DAMPER



The manufacturer reserves the right to modify the materials and specifications resulting from a continuing program of product improvement or the availability of new materials

Model "VH2"

Determining Exhaust Volumes

To Calculate Exhaust Duct Length (In)

Example:

Exhaust CFM: 765 and Duct Depth 10" STD

Length = $\frac{CFM}{104}$ (inches) Length = $\frac{765 CFM}{104}$ (inches)

Length = X inches Length = 7.35 inches

Duct Depth = X Duct Depth = 7.4 then round up to the nearest inch

Final Duct Size 10" x 8"

Hanging Weight

Ventilator Width	36"	42"	48"	54"	60"
Wt. lineal ft. Lbs.	40	45	50	55	60

APPLICATION	WALL/ ISLAND	CFM/ Lin. Ft	STATIC PRESSURE (" W.G.)
Dishwasher	Wall	100	0.25
Dishwasher	Island	100	0.25
Light Duty Cooking	Wall	200	0.25
Light Duty Cooking	Island	400	0.25

The above Exhaust Volumes are based upon International Mechanical Code 2006.