



**THE
GAYLORD VENTILATOR
TECHNICAL MANUAL**

**FOR THE GRAND "VH2" AND "HH" SERIES
TYPE II HOODS**

GAYLORD INDUSTRIES

10900 S.W. AVERY STREET • P.O. BOX 1149 • TUALATIN, OREGON 97062-1149 U.S.A.
800-547-9696 • 503-691-2010 • FAX: 503-692-6048 • email: info@gaylordusa.com



*"Undisputed World Leader in
Engineered Systems for
Commercial Kitchens"*[™]

GAYLORD INDUSTRIES

World Headquarters: P.O. Box 1149 • Tualatin, Oregon 97062-1149 U.S.A.

To Our Customers. . .

Congratulations on your recent purchase of a Gaylord kitchen exhaust hood system. We are proud to be able to provide you with a quality product that incorporates the latest engineering concepts and is a result of over 50 years of experience in the foodservice kitchen exhaust industry.

If you have other Gaylord equipment such as a Gaylord Utility Distribution System, Quencher Fire Protection System, or Roof Top Air Handling Equipment, etc., please refer to the corresponding supplementary equipment manuals.

If you have further questions, please call us toll free at 1-800-547-9696 or email: info@gaylordusa.com. We are more than happy to help.

Sincerely,

Gaylord Industries

STREET ADDRESS: 10900 S.W. Avery Street, Tualatin, Oregon 97062-8549 U.S.A.

PHONE: 503-691-2010 • 800-547-9696 • **FAX:** 503-692-6048 • **email:** gaylord@gaylordusa.com • www.gaylordusa.com

COMMERCIAL KITCHEN EXHAUST SYSTEMS • FIRE PROTECTION • UTILITY DISTRIBUTION • ROOF TOP UNITS • POLLUTION CONTROL

MODEL "VH2" SERIES

TYPE II VAPOR HOOD

GENERAL SPECIFICATIONS

Furnish Gaylord model "VH2-_____" Type II vapor hood as shown on the plans and in accordance with the following specifications.

The hood shall be constructed of minimum 18 gauge stainless steel type 304, number 4 finish and contain a baffle for collecting condensed moisture from the hood. The hood shall incorporate a perimeter gutter with a ½" drain stub out. The hood shall include two full length hanging brackets with holes pre-punched 6" on centers. The exhaust volume and duct size shall be as indicated on the plans.

The hood shall meet all requirements of the IMC (International Mechanical Code) and constructed in strict compliance with NSF standard number 2.

Optional Light: The hood shall include 100 watt incandescent light fixture(s) pre-wired to a single connection point. The light shall be UL Listed for commercial hoods and wired in accordance with the latest edition of the NEC (National Electrical Code).

Optional Balancing Damper: The hood shall include a stainless steel slide type balancing damper located at the duct collar.



FEATURES:

- All Stainless Steel Construction
- Condensate Baffle
- Perimeter Gutter With Drain
- Meets All Requirements Of The IMC (International Mechanical Code)
- Meets NSF Standard No. 2
- Optional Balancing Damper
- Optional Light Fixtures

DESCRIPTION

The Gaylord Model "VH2" Series Vapor Hood is a Type II hood designed specifically for collecting moisture generated by equipment such as dishwashers, steam tables, bain maries, etc.

The hood is constructed of 18 gauge type 304 stainless steel number 4 finish. The hood includes a condensing baffle that drains off the extracted moisture, and a full perimeter gutter with drain. Also included are two full length brackets with pre-punched holes on 6" centers providing multiple hanging points for easy installation. The units are available in standard lengths from 3'-0" to 16'-0" and depths from 36" to 60" in 6" increments. For lengths longer than 16'-0", two or more units of equal length are joined together.

A slide type balancing damper located at the duct collar is available as an option.

GAYLORD INDUSTRIES

PROJECT NAME: _____

ITEM NO.: _____

MODEL "VH2" SERIES

TYPE II VAPOR HOOD

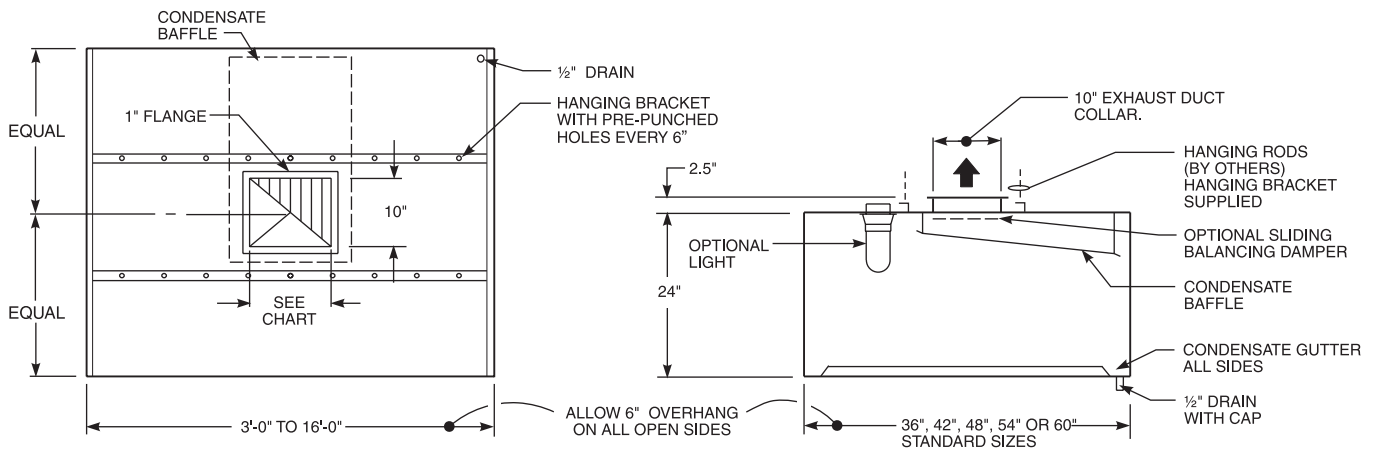
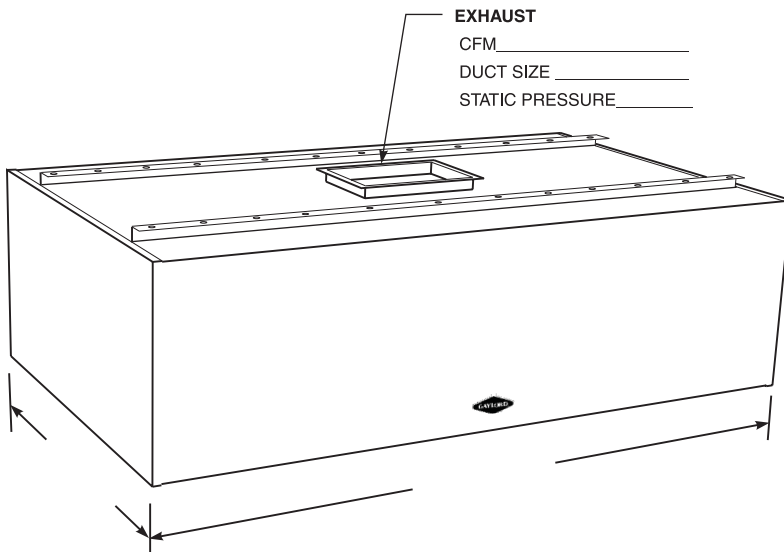
MODEL VH2-W (WALL MOUNT)

MODEL VH2-I (ISLAND STYLE)

OPTIONS

100 WATT INCANDESCENT LIGHT

SLIDING BALANCING DAMPER



Model "VH2"

Determining Exhaust Volumes

DUCT SIZE CHART	
VOLUMES UP TO: (CFM)	DUCT SIZE
750	10 x 6
1500	10 x 12
2250	10 x 18
3000	10 x 24
3750	10 x 30
4500	10 x 36

Hanging Weight: 45 lbs. per lineal foot.

APPLICATION	FORMULA	STATIC PRESSURE
<input type="checkbox"/> Wall Mount	$Q = 50A$	S.P. = .25
<input type="checkbox"/> Island Style	$Q = 75A$	S.P. = .35

Q = Quantity of air in CFM
 A = Horizontal surface area of hood in sq. ft. (length x width)

The exhaust air volume is determined by the horizontal surface area of the hood. Use one of the formulas in the chart to determine the exhaust volume:

Once the exhaust air volume has been established, determine the duct size by finding the next highest CFM in the Duct Size Chart.

The manufacturer reserves the right to modify the materials and specifications resulting from a continuing program of product improvement or the availability of new materials.

MODEL "HH" SERIES

TYPE II HEAT & ODOR HOOD

GENERAL SPECIFICATIONS

Furnish Gaylord model "HH" series Type II heat and odor hood as shown on the plans and in accordance with the following specifications.

The hood shall be constructed of a minimum 18 gauge stainless steel type 304, number 4 finish. The hood shall include two full length hanging brackets with holes pre-punched 6" on centers. The exhaust volume and duct size shall be as indicated on the plans.

The hood shall meet all requirements of the IMC (International Mechanical Code) and constructed in strict compliance with NSF standard number 2.

Optional Light: The hood shall include 100 watt incandescent light fixture(s) pre-wired to a single connection point. The light shall be UL Listed for commercial hoods and wired in accordance with the latest edition of the NEC (National Electrical Code).

Optional Balancing Damper: The hood shall include a stainless steel slide type balancing damper located at the duct collar.



FEATURES:

- All Stainless Steel Construction
- Meets All Requirements Of The IMC (International Mechanical Code)
- Meets NSF Standard No. 2
- Optional Balancing Damper
- Optional Light Fixtures

DESCRIPTION

The Gaylord model "HH" series is a Type II hood designed specifically for removing heat and odors from appliances such as ovens and toasters.

The hood is constructed of 18 gauge type 304 stainless steel number 4 finish. The hood includes two full length brackets with pre-punched holes on 6" centers providing multiple hanging points for easy installation. The units are available in lengths from 3'-0" to 16'-0" and depths from 36" to 60" in 6" increments. For lengths longer than 16'-0", two or more units of equal length are joined together.

A slide type balancing damper located at the duct collar is available as an option.

GAYLORD INDUSTRIES

PROJECT NAME _____

ITEM NO. _____

MODEL "HH" SERIES

TYPE II HEAT & ODOR HOOD

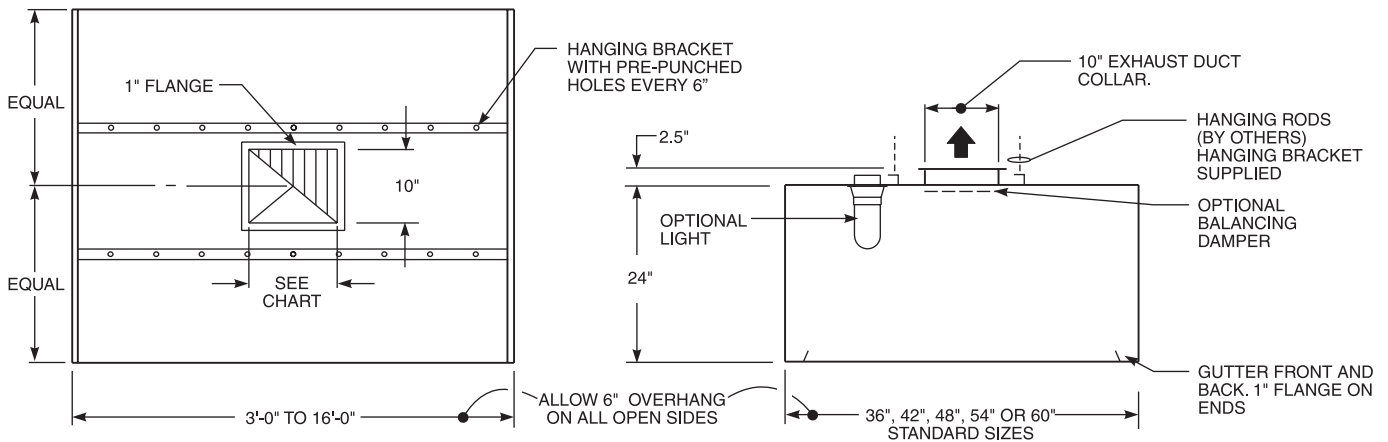
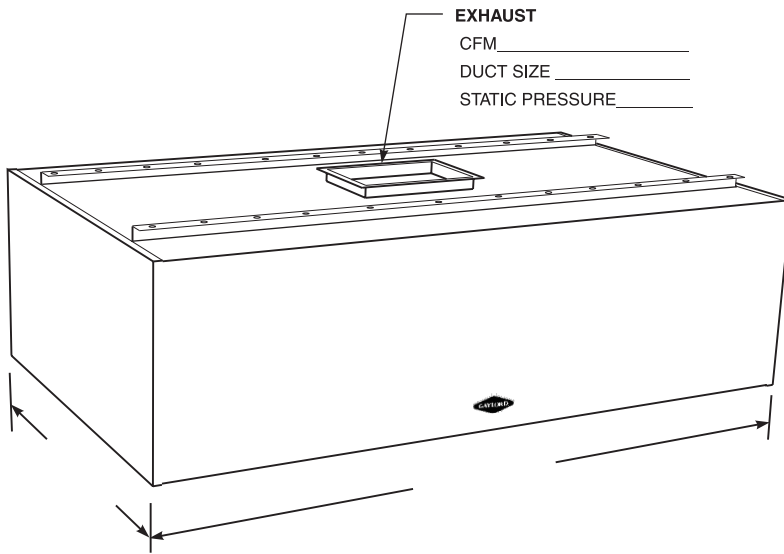
MODEL HH-W (WALL MOUNT)

MODEL HH-I (ISLAND STYLE)

OPTIONS

100 WATT INCANDESCENT LIGHT

SLIDING BALANCING DAMPER



Model "HH" Series

Determining Exhaust Volumes

DUCT SIZE CHART	
VOLUMES UP TO: (CFM)	DUCT SIZE
750	10 x 6
1500	10 x 12
2250	10 x 18
3000	10 x 24
3750	10 x 30
4500	10 x 36

Hanging Weight: 44 lbs. per lineal foot.

APPLICATION	FORMULA	STATIC PRESSURE
<input type="checkbox"/> Wall Mount	$Q = 50A$	S.P. = .25
<input type="checkbox"/> Island Style	$Q = 75A$	S.P. = .35

Q = Quantity of air in CFM
A = Horizontal surface area of hood in sq. ft. (length x width)

The exhaust air volume is determined by the horizontal surface area of the hood. Use one of the formulas in the chart to determine the exhaust volume:

Once the exhaust air volume has been established, determine the duct size by finding the next highest CFM in the Duct Size Chart.

The manufacturer reserves the right to modify the materials and specifications resulting from a continuing program of product improvement or the availability of new materials.

**THE GAYLORD NON WATER-WASH VENTILATOR
LIMITED WARRANTY**

August 2000

The Gaylord Ventilator and component parts furnished with The Gaylord Ventilator by the Licensed Gaylord Manufacturer are warranted by the Licensed Gaylord Manufacturer producing the ventilator to be free from defects of material and workmanship under normal use when installed, operated and serviced in accordance with factory recommendations.

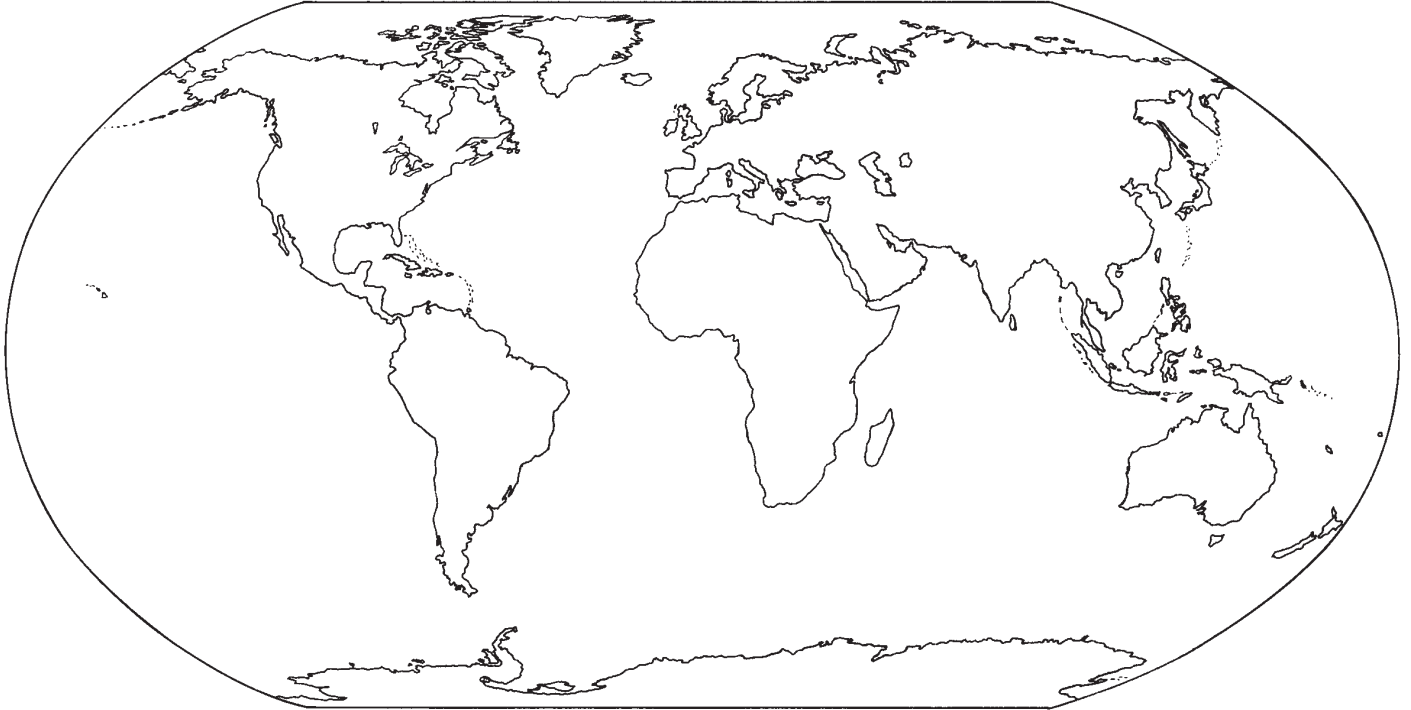
The Licensed Gaylord Manufacturer's obligation under this warranty and any warranties implied by law shall be limited to repairing or replacing at its option any part of said equipment when the Licensed Gaylord Manufacturer's examination shall disclose to its satisfaction to be thus defective, for a period of one (1) year from the date of beneficial use, or eighteen months from date of shipment, whichever occurs first, provided proper and acceptable evidence of such is recorded at the factory. THE LICENSED GAYLORD MANUFACTURER SHALL NOT BE RESPONSIBLE FOR INCIDENTAL OR CONSEQUENTIAL DAMAGES RESULTING FROM A BREACH OF THIS WARRANTY.

In the United States the labor required to make repairs and replacements under this warranty shall be furnished by Gaylord Industries Inc. or the Licensed Gaylord Manufacturer or its authorized representative. Such labor shall only be provided Mondays through Fridays between the hours of 8 a.m. and 4 p.m. Requests for repairs or replacement parts should be made to GAYLORD INDUSTRIES, P.O. Box 1149, Tualatin, Oregon 97062-1149.

Outside the United States, all replacement parts furnished under this warranty shall be F.O.B. Gaylord Industries, Tualatin, Oregon U.S.A. The owner shall pay the necessary freight delivery charges, and the necessary labor for removal and installation of parts, and any tariffs, duties or taxes.

This warranty does not cover routine maintenance or malfunctions or improper operation caused by fluctuating electrical power or power surges, and improper exhaust fan operation.

This is the sole warranty with respect to the aforesaid items. NEITHER THE GAYLORD LICENSEE NOR ANY OTHER PARTY MAKES ANY OTHER WARRANTY OF ANY KIND WHATSOEVER, EXPRESSED OR IMPLIED, AND ALL IMPLIED WARRANTIES OF MERCHANTABILITY AND FITNESS FOR A PARTICULAR PURPOSE WHICH EXCEED THE AFORESAID OBLIGATIONS ARE HEREBY DISCLAIMED AND EXCLUDED FROM THIS AGREEMENT.



WORLDWIDE SALES, MANUFACTURING AND SERVICE
FOR THE NAME AND LOCATION OF THE NEAREST
CERTIFIED SERVICE AGENCY, VISIT OUR WEB SITE:

WWW.GAYLORDUSA.COM

OR CONTACT US AT:

GAYLORD INDUSTRIES

P.O. BOX 1149 • 10900 S.W. AVERY STREET
TUALATIN, OREGON 97062-1149 U.S.A

Phone: 503-691-2010

1-800-547-9696

Fax: 503-692-6048

email: info@gaylordusa.com

LOCAL SERVICE AGENCY